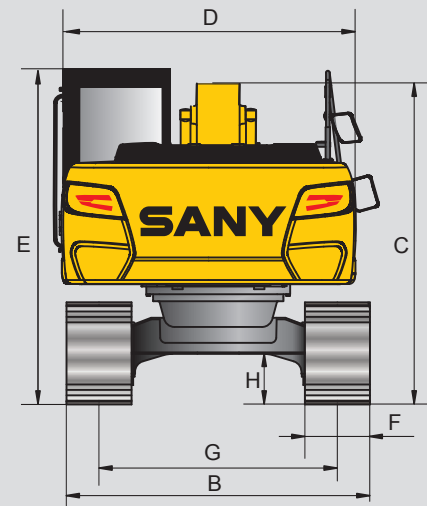
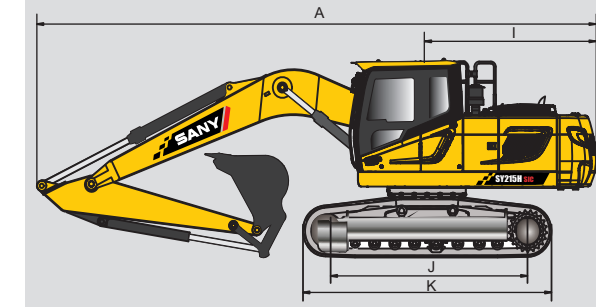


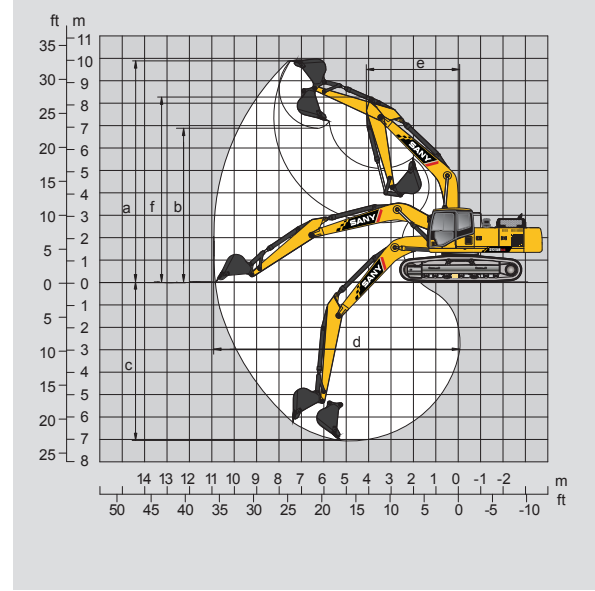
Overall dimensions (mm)	SY215H
A. Overall length (in transportation state)	9680
B. Overall width	2980
C. Overall height (in transportation state)	3440
D. Machine cab width	2875
E. Overall height (to top of cab)	3075
F. Shoe width	600
G. Track gauge	2380
H. Minimum ground clearance	440
I. Distance, swing center to rear end	2900
J. Track length on ground	3445
K. Track length	4250



Technical specifications	SY215H
Operation Weight	21900kg
Bucket capacity	0.8~1.2(1.1)m <sup>3</sup>
Rate power	133kW/2000rpm
Traveling speed (high/low)	5.4/3.3km/h
Swing speed	11 rpm
Gradeability	70%/35°
Ground pressure	47.4kPa
Digging force of bucket	138kN
Digging force of arm	103kN



Operating range (mm)	SY215H
a. Maximum digging height	9600
b. Maximum unloading height	6730
c. Maximum digging depth	6600
d. Maximum digging distance	10280
e. Minimum slewing radius	3730
f. Maximum height at minimum slewing radius	7680



QUALITY CHANGE THE WORLD



Note: Due to continuous technical updates, documents and specifications are subject to change without prior notice, and the machines in the photos may include additional equipment.

Brand new SY215H





# Lead by Innovation Splendid



## Product Highlights

### Custom Isuzu 4HK1 engine

Engine power is 133kW/2000rpm, more powerful, DLC coated injector and SUS316 material EGR valve rod have better adaptability for inferior fuel .

### Filtration performance improvement

Adopt mine-level filtration system, three layers of coarse filtration, improve the precision of fine filtration, "large multi-stage filtration system" makes better fuel adaptability.

### Longer undercarriage

With 3.446m track length on ground which increased by 3%, the stability is improved.

### Automotive intelligent cab

The performance of new cab has been greatly improvements in intelligence, comfort, reliability and other aspects, which provide the user better driving feeling.

Custom Isuzu 4HK1 engine



Filtration performance improvement



Longer undercarriage



Automotive intelligent cab

